

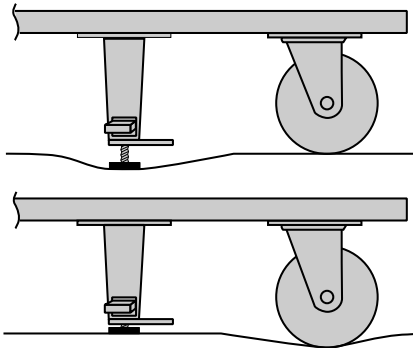
SERIES FL & AFL FLOOR TRUCK LOCKS

FL SERIES Standard Features

- **Construction** - Solid welded steel
- **Finish** - Corrosion resistant zinc
- **Non-Slip Rubber Pad**
- **Kick Bar Release Lever**

AFL SERIES Standard Features

- **Adjustable With Built In Flex And Spring Loaded Foot Compensation For Irregular Floors**
- **Construction** - Corrosion resistant cast aluminum alloy

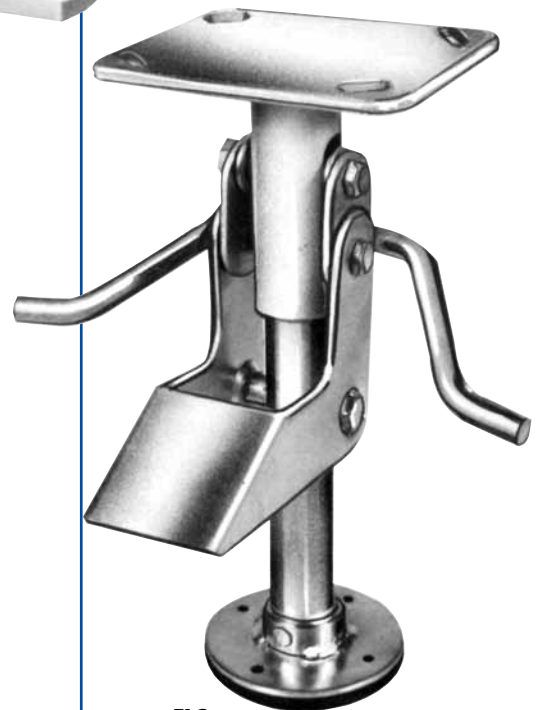


Built-in Flex and floating foot compensates for irregular floors



AFL2

APPLICATIONS:
Provides an efficient method for positioning trucks and work benches for safe, stable loading, unloading and work convenience.



FL8

Retracted Height Inches	Extended Height Inches	Recommended Oper. Height Inches	Top Plate Size Inches	Bolt Hole Pattern Inches	Approx. Shipping Wt. lbs.	Part Number
5 1/16	5 3/8	5 3/8	4 x 4	2 5/8 x 3 5/8 to Slotted 3 x 3	3.25	FL4
5 1/2	6 1/2	6 1/2			3.50	FL5
6 3/4	7 3/4	7 3/4			4.50	FL6
8 5/8	9 5/8	9 5/8			4.75	FL8
5 1/2	8	6 1/2 to 7 1/2	3 3/4 x 4 3/4		3.25	AFL1
7	11	8 to 10 1/2			4.00	AFL2